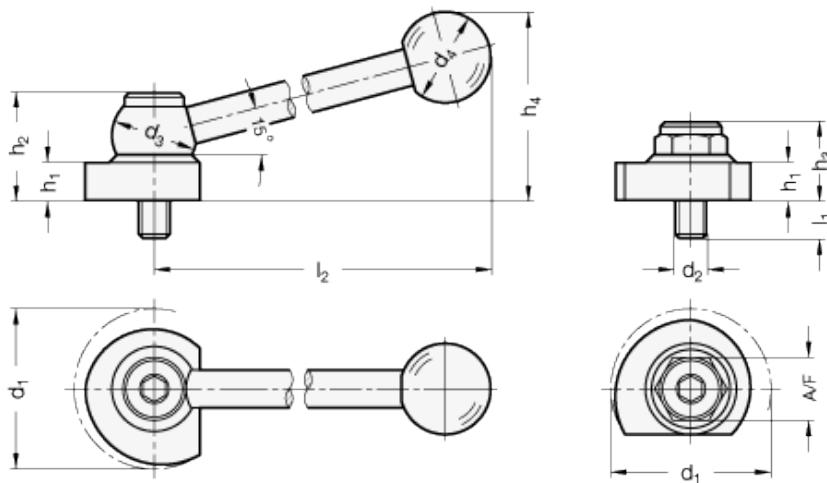


# GN 918

Cam locking levers



## technical informations

### Lever

Black-oxide steel.

### Ball knob (type KV and type GV)

DIN 319 Plastic, duroplast, shiny finish.

### Screw

Nitrided and black-oxide steel, hexagon socket head.

### Cam and washer

Nitrided black-oxide steel.

### Assembly

- Type KV: with ball lever, angular (serrations).
- Type GV: with ball lever, straight (serrations).
- Type SK: with hexagon.

**Standard versions available**

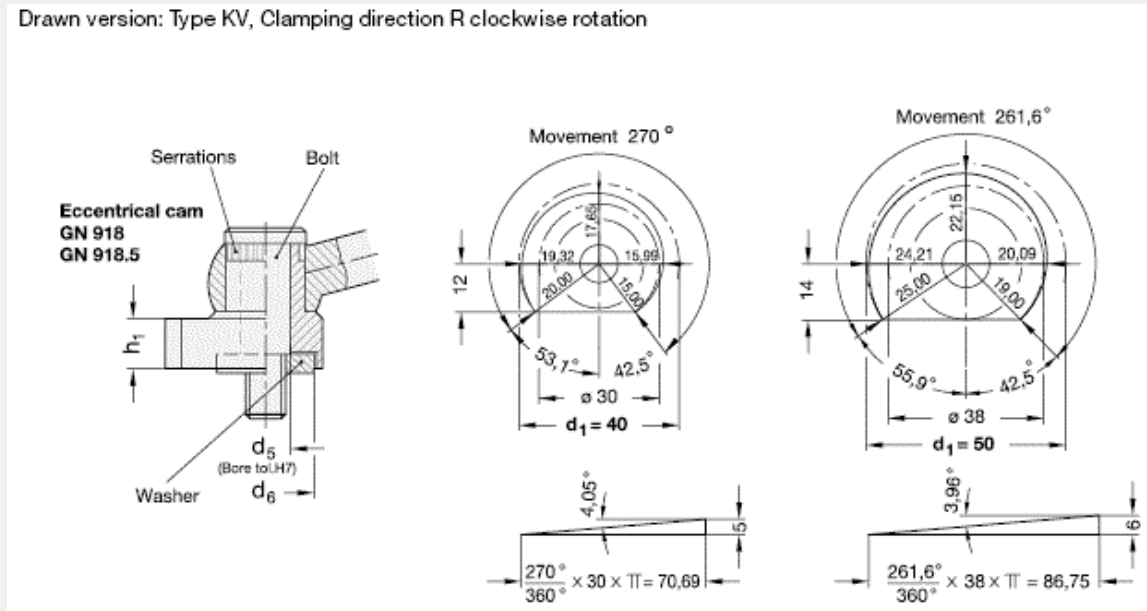
- Version R: clockwise rotation (drawn version).
- Version L: anti-clockwise rotation.

**Features and applications**

Eccentric cams GN 918 allow rapid and safe clamping and releasing with a relatively long movement and high clamping force. The small rising angle of the helix makes it self arresting.

The ball handle is linked with the clamping mechanism via a serrated ratchet thus allowing an „individual positioning“ of the hand lever.

Screw bolt and washer are matched to allow an effortless release from the clamped position. The washer „saves“ special requirements to the execution of the female thread and the clamping bolt can therefore also be used on T-Nuts on machine beds.



$d_1 -0,5$	$d_5$	$d_6$	$h_1$
40	10	20	10
50	12	24	12

Standard Elements	Main dimensions												Threaded stud		Weight
Description	$d_{1-0.5}$	$d_3$	$d_4$	$d_5$	$d_6$	$h_1$	$h_2$	$h_3$	$h_4 \approx$	$h_5$	$l_2 \approx$	A/F	$d_2$	$l_1$	g
GN 918-40-KV-R	40	24	25	10	20	10	31	-	55	-	100	-	M8	8	180
GN 918-40-KV-L	40	24	25	10	20	10	31	-	55	-	100	-	M8	8	180
GN 918-40-GV-R	40	24	25	10	20	10	31	-	-	31	100	-	M8	8	170
GN 918-40-GV-L	40	24	25	10	20	10	31	-	-	31	100	-	M8	8	170
GN 918-40-SK-R	40	-	-	10	20	10	-	21	-	-	-	15	M8	8	90
GN 918-40-SK-L	40	-	-	10	20	10	-	21	-	-	-	15	M8	8	90
GN 918-50-KV-R	50	28	30	12	24	12	34.5	-	62	-	-	-	M10	11	315
GN 918-50-KV-L	50	28	30	12	24	12	34.5	-	62	-	-	-	M10	11	315
GN 918-50-GV-R	50	28	30	12	24	10	34.5	-	-	36	116	-	M10	11	300
GN 918-50-GV-L	50	28	30	12	24	12	34.5	-	-	36	116	-	M10	11	300
GN 918-50-SK-R	50	-	-	12	24	12	-	24	-	-	-	19	M10	11	159
GN 918-50-SK-L	50	-	-	12	24	12	-	24	-	-	-	19	M10	11	159



ELESA and GANTER models all rights reserved in accordance with the law. Always mention the source when reproducing our drawings.

**STANDARD MACHINE ELEMENTS WORLDWIDE**